

ÜBERSICHTSZEICHNUNG

ASSEMBLY DRAWING

GHOST



E-RIOT (MY23)

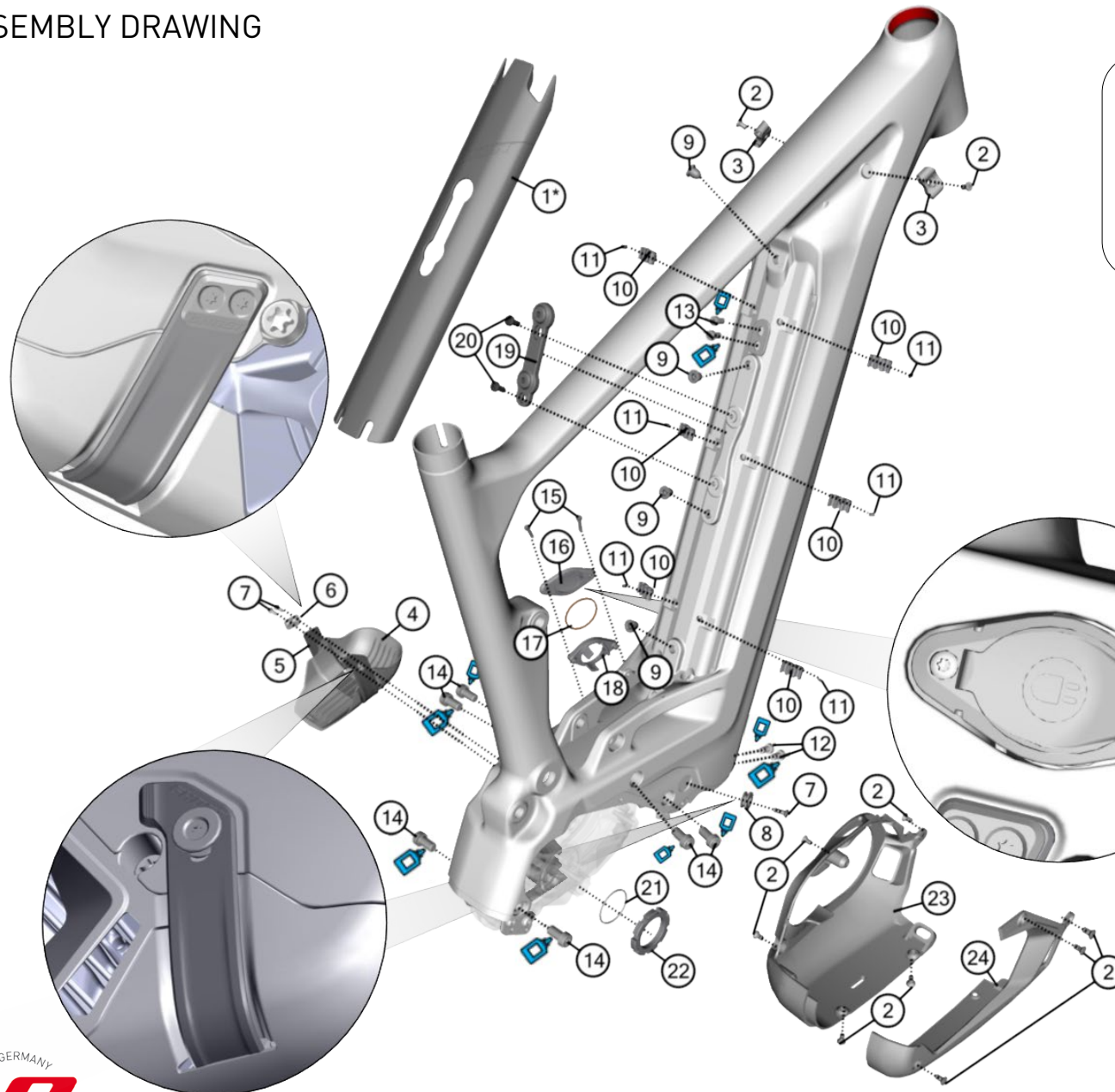
2023-01-11

V01

ÜBERSICHTSZEICHNUNG

ASSEMBLY DRAWING

GHOST



Hinweis:

Bei den Schrauben muss mittelfeste Gewindegewissicherung verwendet werden.
Rote Flächen müssen gefettet werden.

note:

use medium strength screw lock for screw threads.
red surfaces have to be greased.



medium strength screwlock

ÜBERSICHTSZEICHNUNG

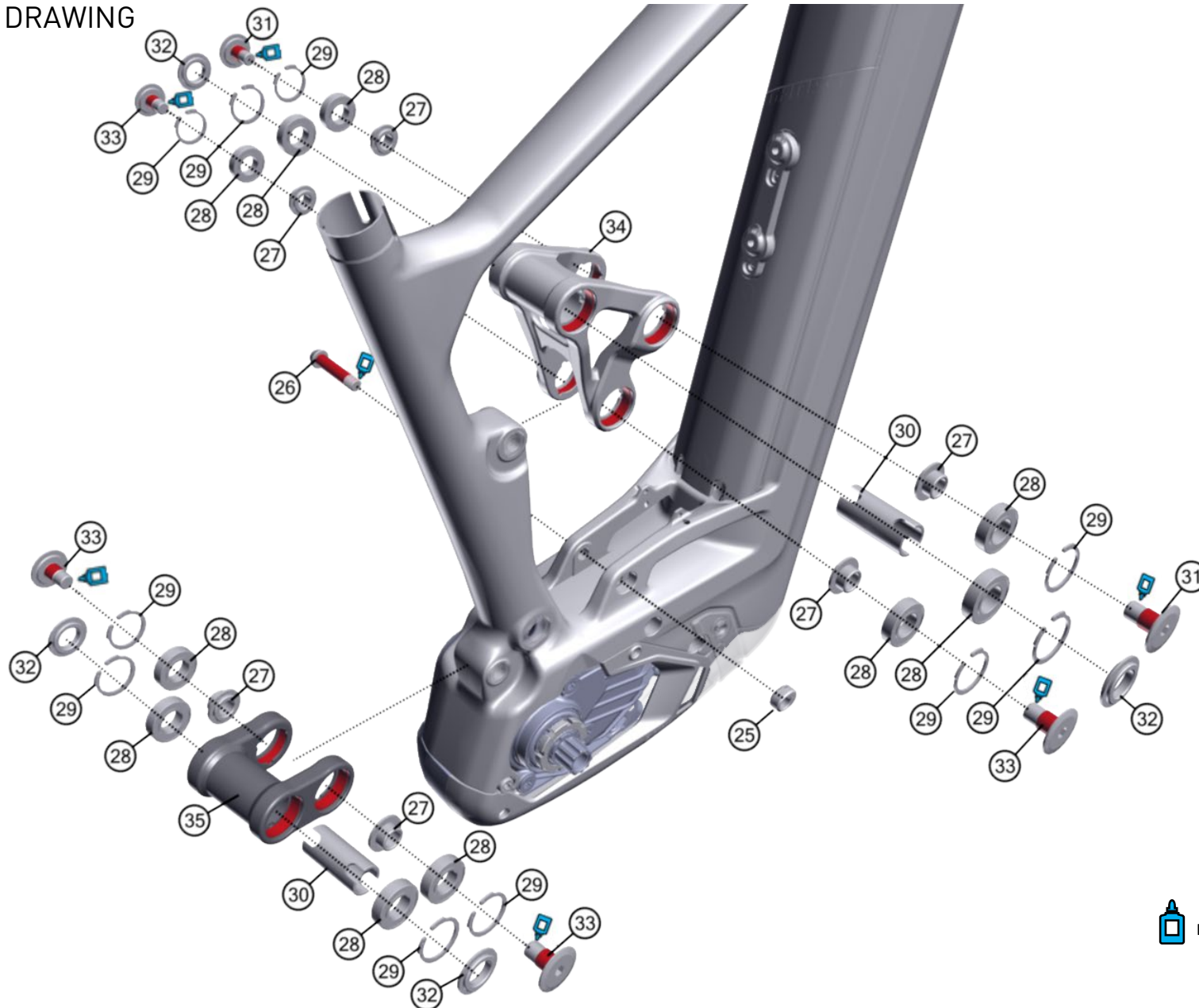
ASSEMBLY DRAWING


GHOST

BOM-ID	Item no.	Description	Drawing Number	Specification	Torque	QTY
1*	FRPR0059	cable cover framesize s	PD0025_01-06-030_S			1
1*	FRPR0060	cable cover framesize m	PD0025_01-06-030_M			1
1*	FRPR0061	cable cover framesize xl / l	PD0025_01-06-030_L _XL			1
2	FRSC0147	countersunk screw		T20 – M4 x 8 mm	3 Nm	10
3	FROT0176	cable guide headtube	PD0025_01-06-013			2
4	COV0003	battery cover	PD0026_01-06-032			1
5	COV0004	strap for battery cover	PD0026_01-06-033			1
6	COV0008	strap holding plate	PD0026_01-06-034			1
7	FRSC0130	countersunk screw		T20 – M4 x 12 mm	1 Nm	3
8	COV0009	strap mushroom head	PD0026_01-06-035			1
9	FROT0243	snaplock coupling		SHORE 86A D=5mm		4
10	FRPR0065	cable clip	PD0025_01-06-012			6
11	FRSC0089	grub screw		HEX 1,5 – M3 x 5 mm	-	6
12	SM1710	lens head screw		T25 – M5 x 14 mm	5 Nm	2
13	FRSC0129	lens head screw		HEX 3 – M5 x 16 mm	5 Nm	1
14	FRSC0097	bosch screw		T40 – M8 x 16 mm	20 Nm	6
15	FRSC0071	lens head screws		T10 – M3 x 16 mm	0,5 Nm	2
16	FROT0097	charge socket cover	HB4A-CPC			1
17	ELOT0007	o-ring for charge plug	BOSCH EB12.120.019	24x2		1
18	FROT0212	charge port socket	HB5A CPF			1
19	FROT0217	fidlock base				1
20	FROT0281	lens head screw		HEX 3 – M5 x 10 mm	5 Nm	2
21	FROT0181	o-ring for lockring	BOSCH 1270.016.119			1
22	FROT0180	lockring	BOSCH 1270.014.085		25–30 Nm	1
23	COV0002	motor cover left	PD0026_01-06-031			1
24	COV0001	motor cover right	PD0026_01-06-030			1

ÜBERSICHTSZEICHNUNG ASSEMBLY DRAWING

GHOST



 medium strength screwlock

E-RIOT (MY23)
2023-01-11
V01

ÜBERSICHTSZEICHNUNG

ASSEMBLY DRAWING

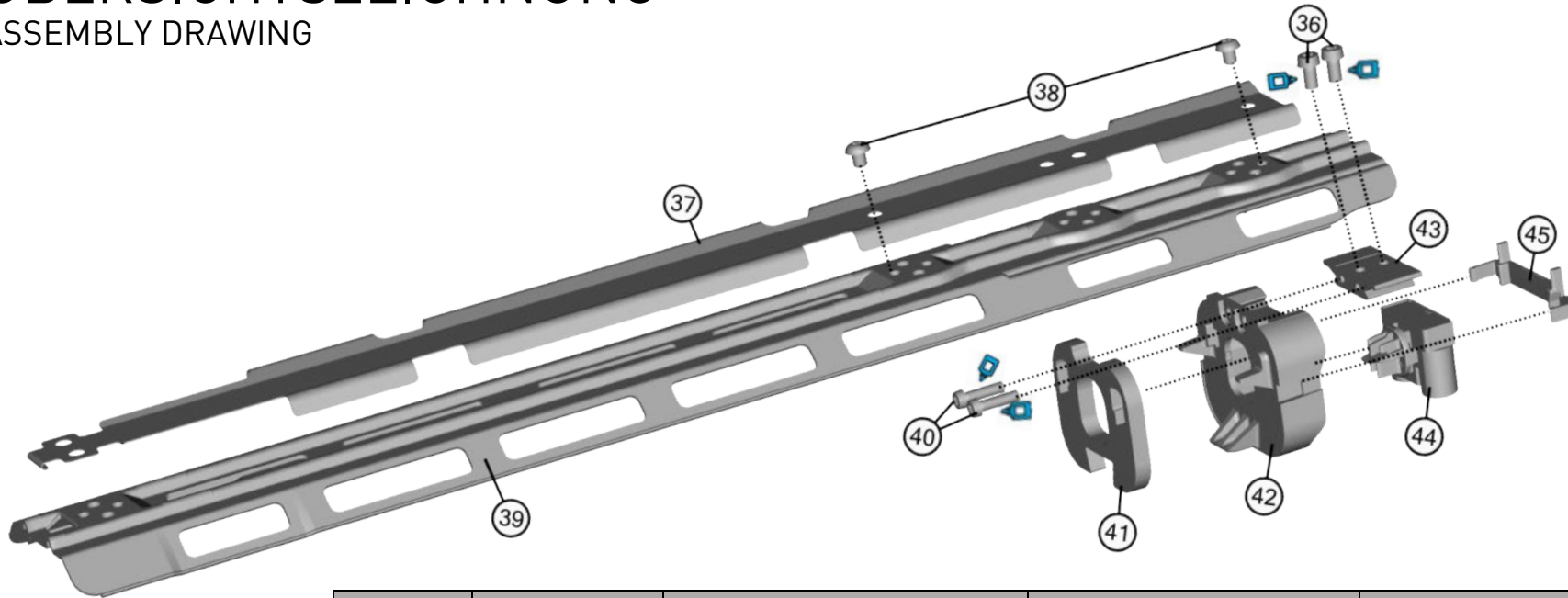
GHOST

BOM-ID	Item no.	Description	Drawing Number	Specification	Torque	QTY
25	FRNT0053	nut for shock axle	PD0001_77-04-110			1
26	FRSC0103	lower shock mount axle	PD0001_77-04-043			1
27	FRSP0001	bearing spacer - link pivot st & shock	PD0001_77-04-050			6
28	FRBR0001	bearing	6902v-2rs	28mm x 15mm x 7mm		10
29	FRWS0042	circlip		IRTW-28		10
30	FRSP0002	link pivot bushing - csy & ssy	PD0001_77-04-052			2
31	FRSC0107	link pivot screw 17 Nm	PD0001_77-04-058		17 Nm	2
32	FRWS0041	bearing spacer - link pivot csy & ssy	PD0001_77-04-053			4
33	FRSC0024	link pivot screw 22 Nm	PD0001_77-04-057		22 Nm	4
34	FRR00001	rocker	PD0002_04-02-304			1
35	FRR00002	link	PD0002_02-02-301			1


ÜBERSICHTSZEICHNUNG

ASSEMBLY DRAWING

GHOST



BOM-ID	Item no.	Description	Drawing Number	Specification	Torque	QTY
36	FRSC0122	bosch screws	BOSCH EB12.100.01Y	T25 - M5 X 9 mm	4,5 Nm	2
37	FROT0213	cable holder	PD0026_01-03-190			1
38	FRSC0118	holder screws		HEX3 – M5 x 6 mm	4,5 Nm	2
39	RAI0001	battery rail	BOSCH EB12.100.01N			1
40	FRSC0121	bosch screws	BOSCH EB12.100.01X	T15 – M4 x 16 mm	3 Nm	2
41	ELOT0005	damper foil	BOSCH EB12.100.01Z			1
42	ELOT0003	cradle	BOSCH EB12.100.01U			1
43	ELOT0004	bosch frame base	BOSCH EB12.100.01V			1
44	ELOT0006	bosch battery adapter	BOSCH EB12.100.015			1
45	ELOT0008	bosch clamp ring cradle	BOSCH EB12.100.02D			1

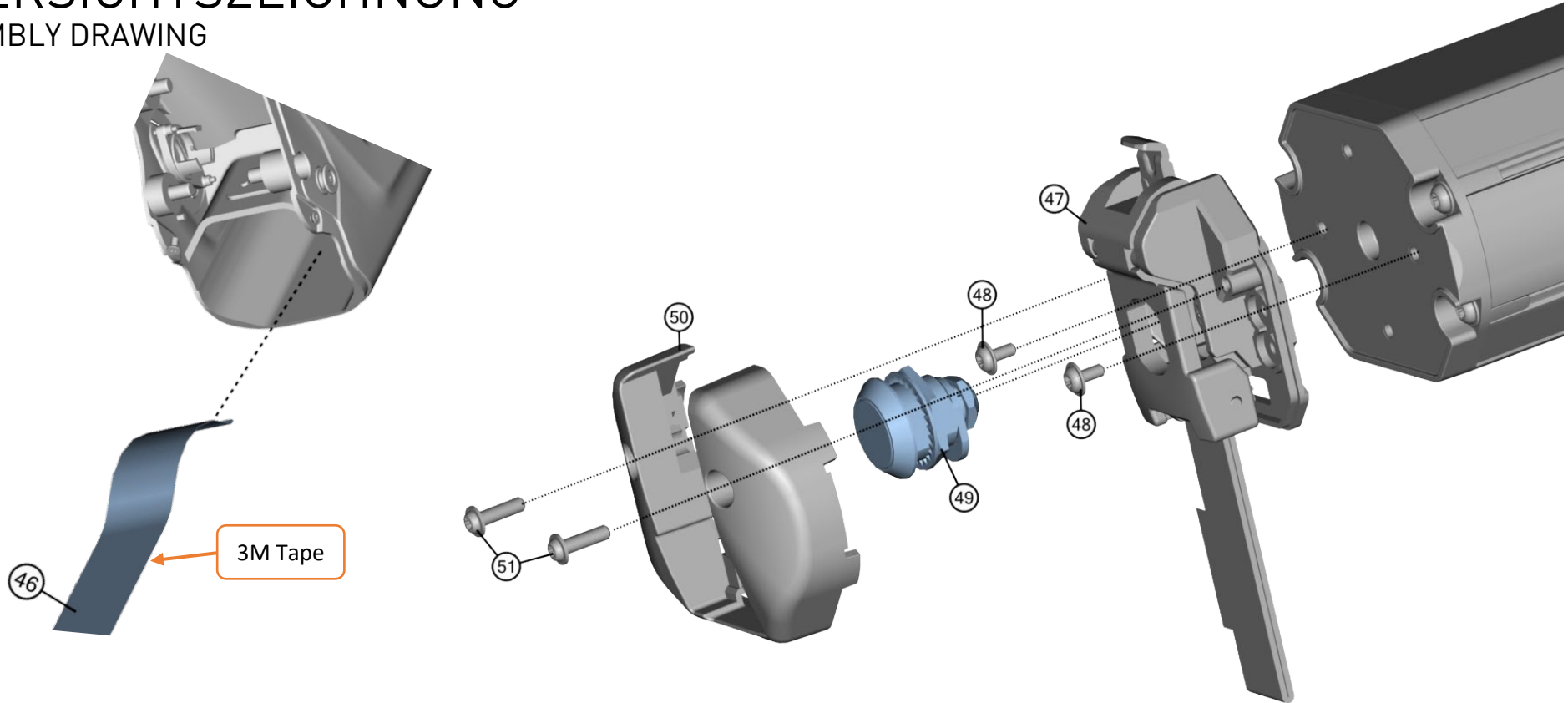
 medium strength screwlock

E-RIOT (MY23)
2023-01-11
V01

ÜBERSICHTSZEICHNUNG

ASSEMBLY DRAWING

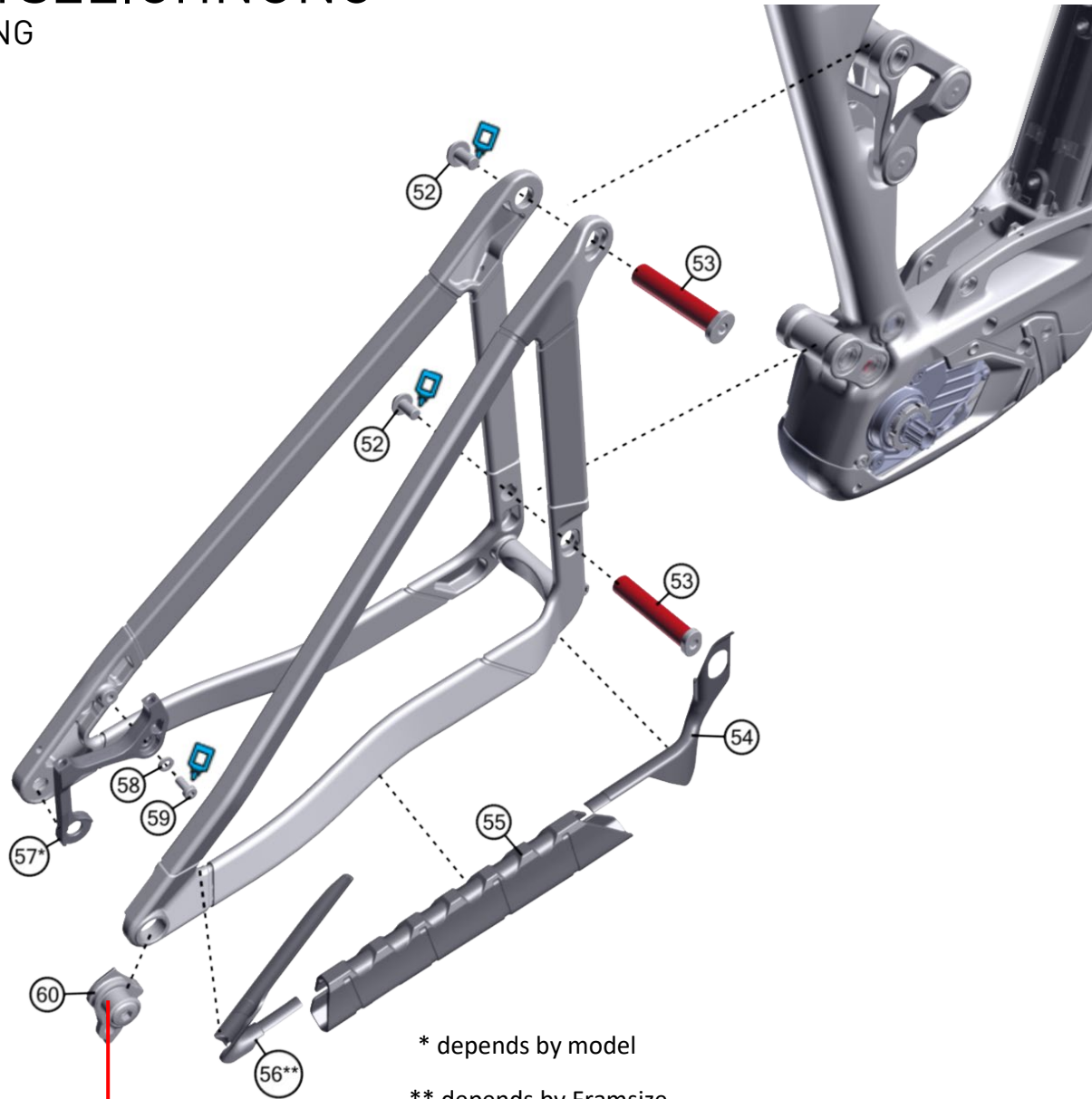
GHOST



BOM-ID	Item no.	Description	Drawing Number	Specification	Torque	QTY
46	FR0T0283	battery spring	PD0026_01-03-213			1
47	L00004	lock assembling	BOSCH EB12.100.01D			1
48	FRSC0123	screws for lock		T15 – M3 x 7 mm	1 Nm	2
49	L00008	battery lock axial	AXA 5592 25 95			1
50	COV0007	lock cover	BOSCH EB12.100.01A			1
51	FRSC0120	screws lock cover	BOSCH 1270.016.417	T15 – M3,5 x 12 mm	1 Nm	2

ÜBERSICHTSZEICHNUNG ASSEMBLY DRAWING


GHOST



Don't grease the thread !

* depends by model

** depends by Framsize

 medium strength screwlock

E-RIOT (MY23)

2023-01-11

V01

ÜBERSICHTSZEICHNUNG

ASSEMBLY DRAWING

GHOST

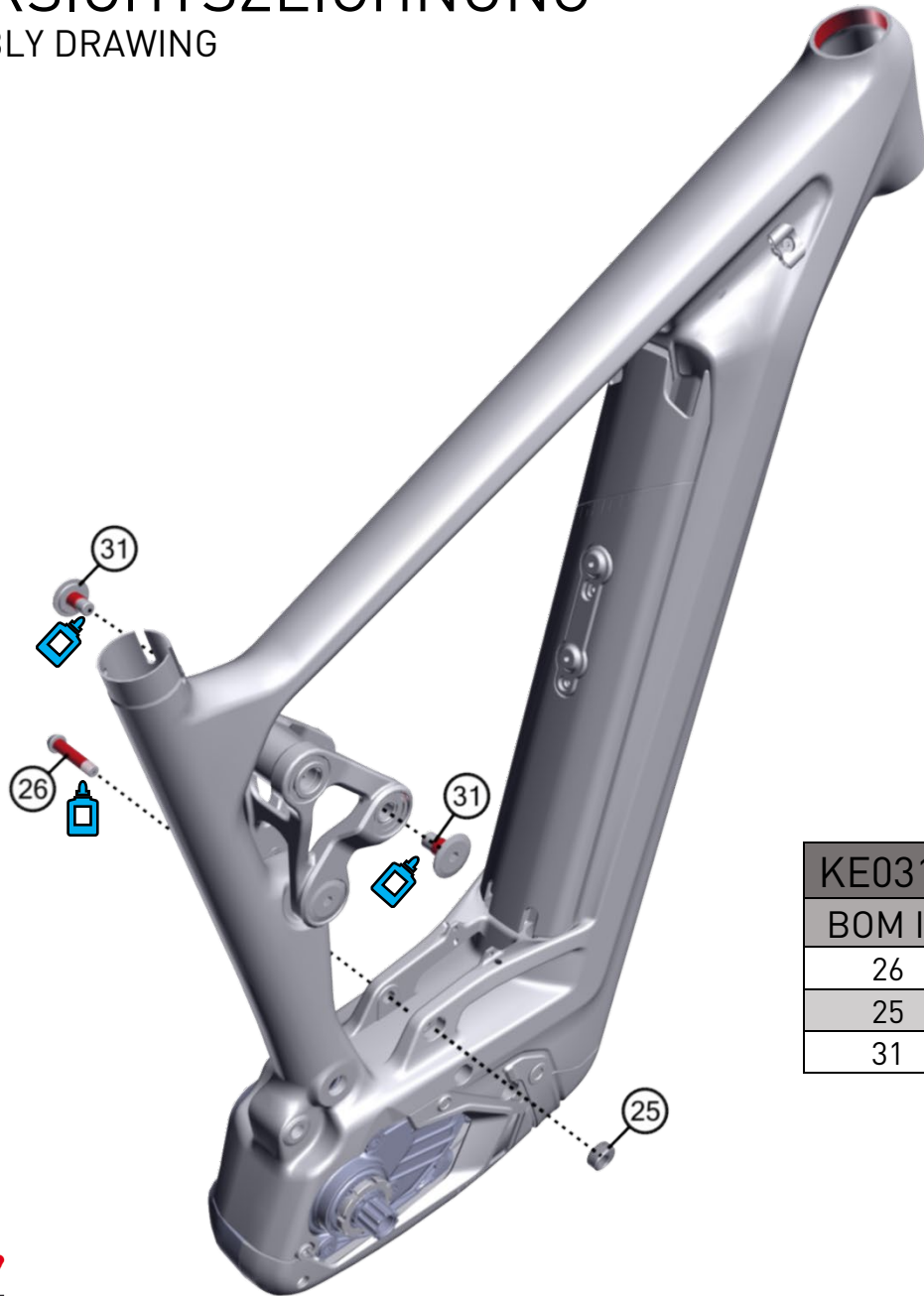
BOM-ID	Item no.	Description	Drawing Number	Specification	Torque	QTY
52	FRSC0106	link pivot screw – csy&ssy	PD0001_77-04-054	M10 x 1,0	22 Nm	2
53	FRAX0008	link pivot axle – csy&ssy	PD0001_77-04-040			2
54	FRPR0054	chainstay yoke protector riot	PD0001_77-06-031			1
55	FRPR0053	chainstay protector	PD0001_77-06-033			1
56**	FRPR0066	chainstay/seatstay protector <i>framesize s</i>	PD0001_77-06-030_S			1
56**	FRPR0055	chainstay/seatstay protector <i>framesize m-xl</i>	PD0001_77-06-030			1
57*	FROT0202	disconnect brakemount pm 180 mm	PD0003_01-02-160-A			1
57*	FROT0158	disconnect brakemount pm 200 mm	PD0003_01-02-161_200			1
57*	FROT0219	disconnect brakemount pm 203 mm	PD0003_01-02-161_203			1
58	SM1243	shim		D 6,4		1
59	SM1693	screw		HEX 4 – M6 x 14 mm	10 Nm	1
60	FRHG0061	sram udh hanger set with shim and nut		Don't grease the thread !	25 Nm	1

* depends by model


** depends by Framsize

ÜBERSICHTSZEICHNUNG ASSEMBLY DRAWING

GHOST



KE0315 Shock Axle Kit				
BOM ID	Item No	Description	Torque	QTY
26	FRSC0103	lower shock mount axle	17 Nm	1
25	FRNT0053	lower shock mount nut		1
31	FRSC0107	link pivot screw shock 17 nm	17 Nm	2

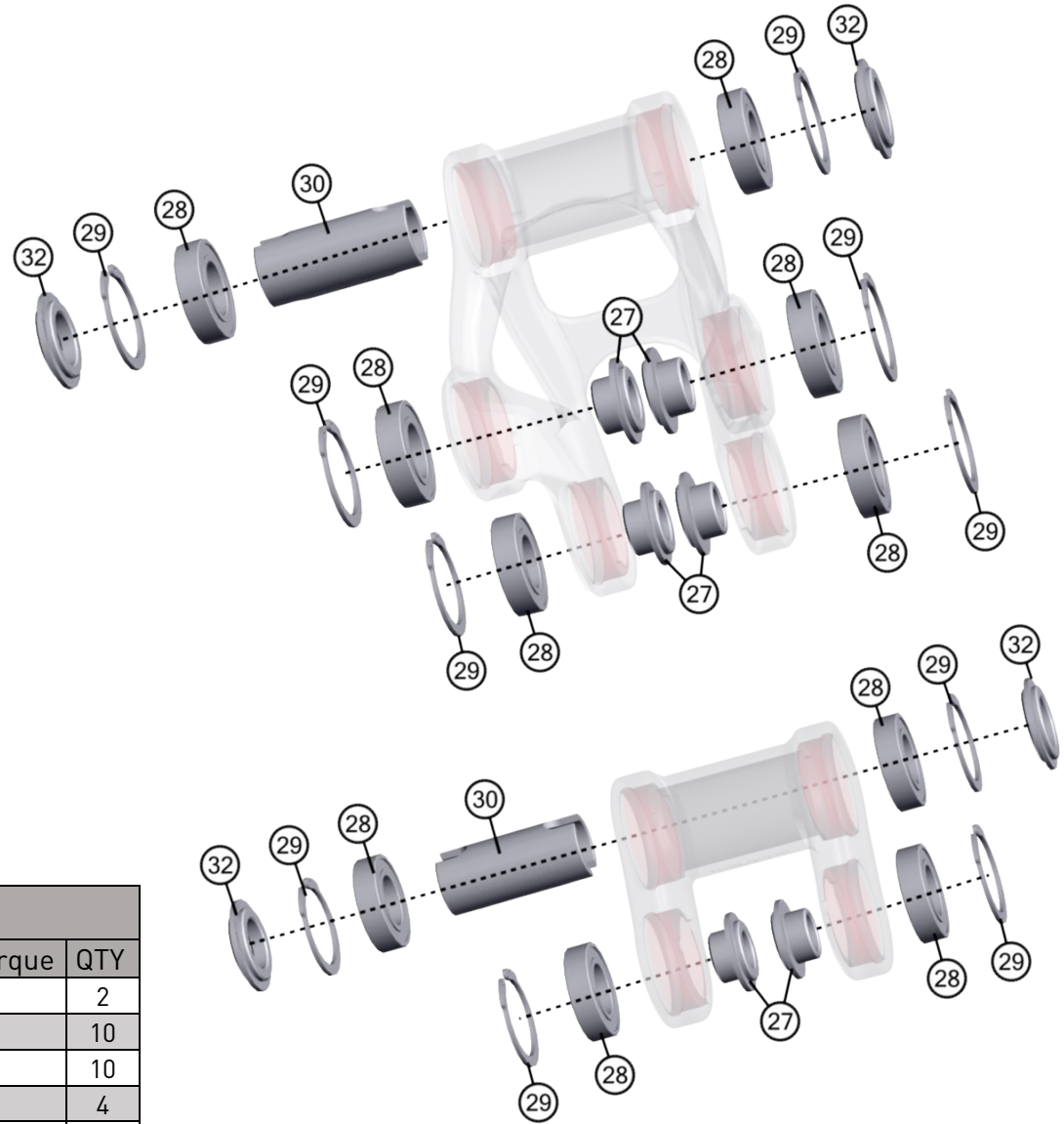
 medium strength screwlock

E-RIOT (MY23)
2023-01-11
V01

ÜBERSICHTSZEICHNUNG

ASSEMBLY DRAWING

GHOST

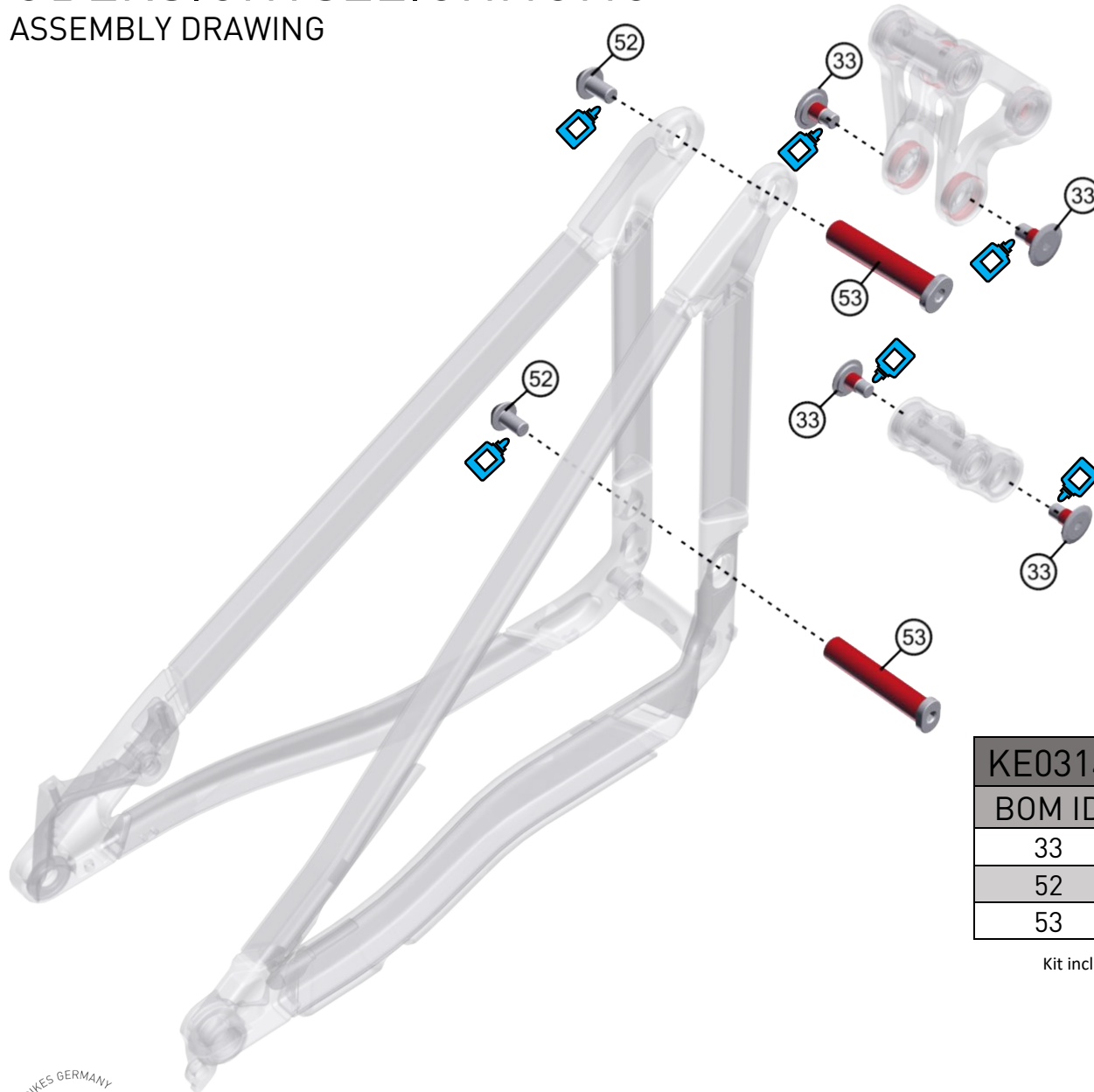


KE0316 Bearing Kit				
BOM-ID	Item no.	Description	Torque	QTY
30	FRSP0002	link pivot bushing - csy & ssy		2
28	FRBR0001	bearing 6902v-2rs		10
29	FRWS0042	circlip		10
32	FRWS0041	bearing spacer - link pivot csy & ssy		4
27	FRSP0001	bearing spacer - link pivot st & shock		6

ÜBERSICHTSZEICHNUNG


ASSEMBLY DRAWING

GHOST



KE0314 Axle & Screw Kit				
BOM ID	Item No	Description	Torque	QTY
33	FRSC0024	pivot screw	22 Nm	4
52	FRSC0106	link pivot screw	22 Nm	2
53	FRA0008	link pivot axle		2

Kit includes not Axles & Screws for Shock Mount

 medium strength screwlock

E-RIOT (MY23)
2023-01-11
V01

ÜBERSICHTSZEICHNUNG

ASSEMBLY DRAWING

GHOST

Datenblatt

Fact Sheet

HEADSET	TOP: ZS44	BOTTOM: ZS56
SEATPOST DIAMETER	34.9 MM	
CLAMP INNER DIAMETER	38.0 MM	
SHOCK LENGTH	185 MM	
SHOCK TRAVEL	55 MM	
SHOCK HARDWARE TOP	TRUNNION	
SHOCK HARDWARE BOTTOM	30MM x 10	
BRAKEMOUNT TYPE	POST MOUNT	
DISC SIZE (MIN)	180 MM	
REAR AXLE (X12)	148 MM (BOOST)	
KICKSTAND	KSA18 (Adapter)	
ISCG STANDARD	BOSCH STANDARD	
CARRIER MOUNT	NO	
DROPPER SEATPOST READY	YES	
WATERBOTTLE MOUNT	1	
WATERBOTTLE SIZE		
FRAMESIZE S _____	FIDLOCK 0,45L	
M _____	FIDLOCK 0,45L	
L _____	FIDLOCK 0,6L	
XL _____	FIDLOCK 0,6L	

MAXIMUM PERMISSIBLE TOTAL WEIGHT	120 KG
MAXIMUM TIRE WIDTH	2.6
WHEEL SIZE	27.5" 29"
MOTOR	BOSCH BES3
BATTERY	BOSCH PT 750 WH
DISPLAY	BOSCH PURION